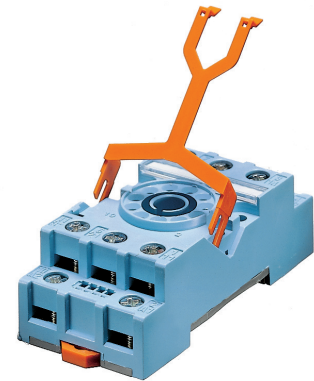


# S3-S

## Socket for 11-pin standard Relays and Time Cubes

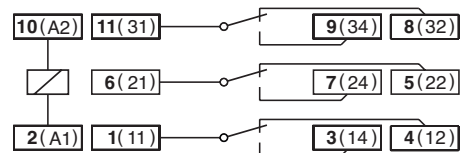
|                                       |  |
|---------------------------------------|--|
| <b>Rated Load</b>                     | <b>10 A / 250 V</b>  |
| <b>Specifications</b>                 |  |
| Rated impulse withstand voltage       |  |
| – All terminals / DIN rail            | 2.5 kV rms / 1 min   |
| – Terminal / Terminal                 | 2.5 kV rms / 1 min   |
| Cross-section of connecting wire      |  |
| – Single-wire                         | 4 mm <sup>2</sup> / AWG 12 or 2 x 2.5 mm <sup>2</sup> / AWG 14 |
| – Multi-wire                          | 0.34 mm <sup>2</sup> / AWG 22 - 2.5 mm <sup>2</sup> / AWG 14   |
| Nominal screw torque                  | 1.2 Nm   |
| Screw dimensions                      | M3.5 Pozi slot   |
| Mounting                              | TS-35 or Back Panel Mounting                                   |
| Ambient temperature operation/storage | -40...60 °C / -40 ... 80 °C (no ice)                           |
| Weight                                | 69g  |



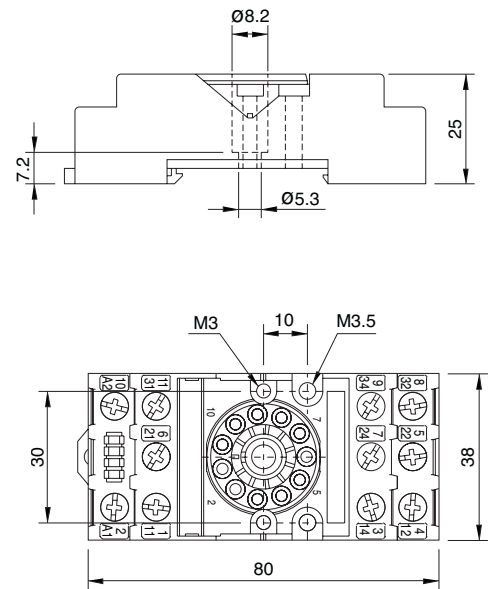
|                             |  |
|-----------------------------|--|
| <b>Included Accessories</b> |  |
| Retaining Clip, plastic     | S30-CM for C3 / C3x Relays   |
| <b>Optional Accessories</b> |  |
| Retaining clip, steel       | HF-32 (BAG 10 PCS) for C3 / C3x Relays<br>HF-33 (BAG 10 PCS) for Time Cube CTx |
| Coding Ring                 | S3-BC (BAG 5 PCS) for C3 / C3x Relays  |



### Connection diagram



### Dimensions [mm]



### Technical approvals, conformities

